

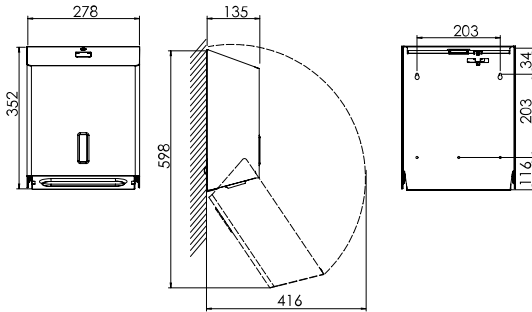
PTU 31 P MN

Paper towel dispenser for dispensing all major paper types
Art.-No. 1423559



OPHARDT HYGIENE-TECHNIK GmbH + Co. KG
Lindenau 27 | 47611 Issum | Germany
Tel.: +49 (0) 28 35 18-10 | Fax +49 (0) 28 35 18-77
planer@ophardt.com | www.ophardt.com

STP PTU 31



Maße in mm - Dimensions in mm



References

airports, train stations, schools, kindergardens, hotels, restaurants, commercial kitchen, food processing areas, prisons, exhibitions, conference centres, shopping centres, fitness and sports centres, industry, laboratories, administration facilities

Usage examples

washrooms, toilets, baths, nursing and examination rooms, kitchens, production facilities

Technical data

Housing:	Stainless steel, matte black powder coated (RAL 9005)
Filling volume (sheet):	approx. 500-600 sheets
Paper type:	C-fold, Layerfold, Z-Fold, ZZ-Fold, V-Fold, Zick-Zack, Multi- and Interfold
with/without viewing window:	Clear
Mounting:	Wall mounting with 4 screws and wall plugs
Cleaning:	manual wipe disinfection, not dishwashersafe, not autoclavable
Warranty:	5 years
Net weight:	3.04 kg
Dimensions (W x H x D) in mm:	278x352x134
Hinweis:	Before using new products, please always check the compatibility of the product and the dispensing system to ensure proper functionality.

Compatible accessories

Kit SR PTU 31
Smart retrofit kit for PTU 31 paper towel dispensers Art.-No. 1423656

Please see other accessories in our Online Product Catalogue.